

USER MANUAL

SWIT Electronics Co.,Ltd.

Tel:+86-25-85805753
Fax:+86-25-85805296
http://www.swit.cc
E-mail: contact@swit.cc

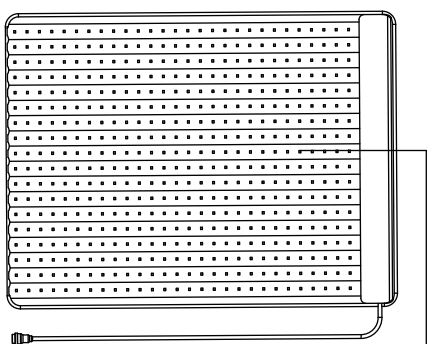
Thank you for choosing SWIT products. Please read the user manual before usage and keep it for future reference.

Feature

1. High-brightness SMD LEDs for precise color and excellent rendering;
2. Color temp (3200K-5600K) and brightness (0%-100%) control;
3. 2.4G wireless interaction for added convenience;
4. Dual power supply mode: AC adaptor or lithium battery power supply;
5. Light weight, thin and soft, easy to bend, convenient for narrow space, high or far site; flexible for use.
6. Small package, light weight and portable

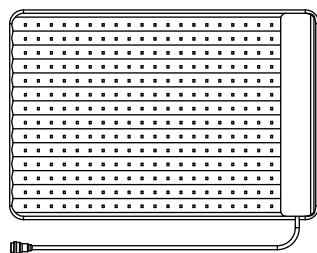
Appearance

Front View:



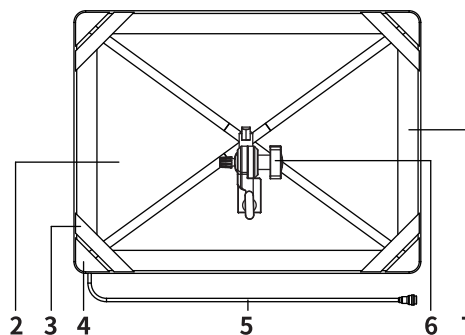
(Fig 1) S-2610 LED Part

Front View:



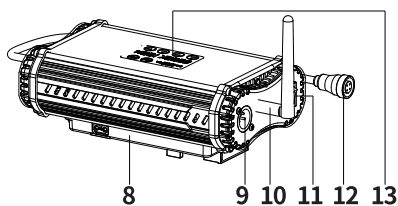
(Fig 3) S-2620 LED Part

Rear View:



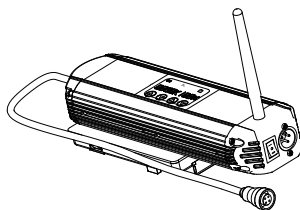
(Fig 5) S-2610 / S-2620 Rear

S-2610 Control Box:



(Fig 2) S-2610 Control box

S-2620 Control Box:



(Fig 4) S-2620 Control box

- | | |
|---------------------------------|------------------------------|
| 1. LED light bar | 7. Velcro tape |
| 2. Light body | 8. V-mount battery plate |
| 3. Fixed button | 9. Power input interface |
| 4. Wrap angle | 10. Antenna |
| 5. Light input connection cable | 11. Power on/off |
| 6. X-frame | 12. Control box output cable |
| | 13. LCD |

Caution

1. Do not dismantle or expose the light's interior to metal objects to prevent damage;
2. Keep the light away from dusty or humid environments to maintain functionality;
3. Avoid using hard objects that may scratch the light surface for optimal performance;
4. Clean minor oil stains or dirt with a soft cloth;
5. Ensure proper antenna installation for effective use of the 2.4G wireless interaction control function.

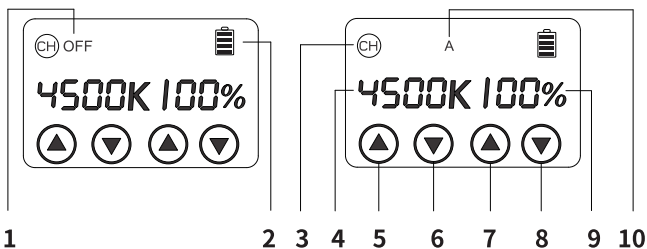
Specifications

For example: Color temperature: 4500K, brightness 100%

Model	S-2610	S-2620
LED	504pcs	280pcs
CCT	3000K-5600K	
Brightness	0%-100%	
Luminance	2400 Lux/1m	1200 Lux/1m
	267 Lux/3m	133 Lux/3m
	96 Lux/5m	48 Lux/5m
Beam Angle	10°-360°	
CRI	≥97	
TLCI	≥97	
Input	100W	50W
Voltage	DC 11-17V/AC100-240V	
Dimensions	600mm x 460mm	455mm x 315mm
Weight	Light: 0.46Kg	Light: 0.29Kg
	ControlBox:0.84Kg ACadaptor:0.43Kg	Control Box: 0.81Kg AC adaptor:0.29Kg
Standard Package	Power cable, AC adaptor Control box, X-Frame, Antenna, Carry case Diffusing cover, Velcro tape	
For Optional	Spread Soft box, Soft box(with honey comb), Soft box, Extension cord(4m, 6m, 8m, 10m)	

LCD Display

For example: Color temperature: 4500K, brightness 100%



2.4 G wireless interaction control function is off

(Fig 6)

2.4 G wireless interaction control function is on

(Fig 7)

1. Wireless interaction control function off
2. Battery status
3. Wireless Control Button
4. CT display
5. CT increase button
6. CT decrease button
7. Brightness increase button
8. Brightness decrease button
9. Brightness display
10. Current Wireless Control Channel

Usage

1. Installation

1.1 Light body installation

The user selects the appropriate installation method based on the usage requirements:

- (1). The light is flexible for bending.
- (2). Join lights with Velcro tape.
- (3). Fix lights in narrow spaces using Velcro tape.
- (4). Use the X-bracket for support (Fig. 3).

Note:

For soft box or arc soft cover users, support the light as in Fig. 3, then attach the assembled soft box or arc soft cover with Velcro tape.

1.2 Please reliably connect the control box output cable (Fig 4 No.12) with light input connection cable (Fig3 No.5)

Note: Users with extension cables can connect them between the control box and light as needed.

2. Power Supply

- (1). Keep the power switch OFF
 - For V-mount batteries, set the switch to "—"
 - For the AC adaptor, set the switch to "="
- (2). Power the light with V-mount lithium batteries or an AC adaptor

3. CT and brightness adjustment

Turn on the power switch

Use the control box LCD to set color temperature and brightness

4. 2.4G wireless interaction control

Supports seamless communication among lights.

Steps:

- Install the wireless antenna.
- Use the LCD to select channels (A, B, C, D).
- Any light in the same channel can adjust others' brightness and color temperature.