

# SWIT®

S-4040  
Power Station Box  
Ver: A

## USER MANUAL

SWIT Electronics Co.,LTD.

Tel:+86-25-85805753  
Fax:+86-25-85805296  
http://www.swit.cc  
E-mail: contact@swit.cc

Congratulations on your purchase of this product. Please read this user manual carefully.

### Warning

- ◆ Never expose this product to rain or moisture.
- ◆ Never attempt to open this product, please contact the local agent if have problems.
- ◆ Never use metal or other conductors to touch the inside of this product.
- ◆ Never use the charger not provided by the manufacturer to charge the Li-ion batteries in order to avoid damage.
- ◆ Never short-circuit the output socket.

### Caution

- ◆ Never put this product in unstable place, it may fall and cause serious damage.
- ◆ Only limited to charge/discharge specified size of batteries.
- ◆ Keep the terminals clean and ensure the reliable connection.
- ◆ Do not cover the cooling vent.
- ◆ Use the specified fuse to avoid damage.
- ◆ Pay attention to the selection of the output socket

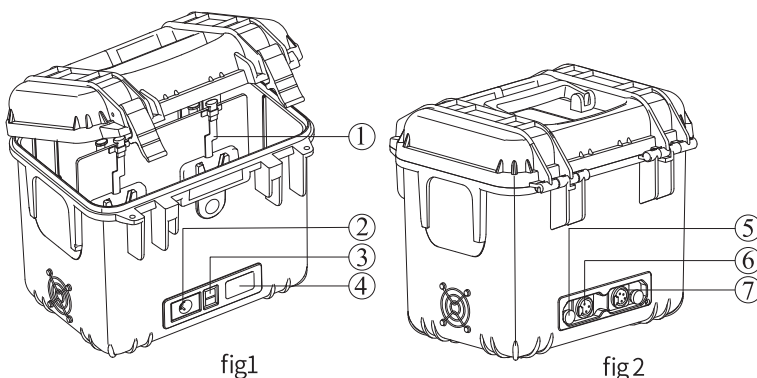
### Introduction

It adopts PP+ Fiber glass case which is high intensity, high toughness and high temperature resistant. It can install 4 pieces of V-mount batteries which can provide more power and longer power supply time comparing to single Li-ion battery. It can meet the demand of different users, and is very suitable for Cine cameras, lightings for Film & Television and mobile studios.

### Feature

1. PP+ Fiber glass case, strong and durable.
2. Install 4 x V-mount batteries.
3. Charging without take out batteries by provided 4-pin XLR DC charging socket.
4. LED panel to display real-time voltage and low voltage warning.
5. Intelligent protective circuit design, safe and reliable.

### Product appearance



- ① V-mount Battery plate
- ② 4-pin XLR DC charging socket  
(Pin 1: Negative, Pin 3: Positive)

- ③ ON/OFF  

“—”	: 24V working mode
“O”	: OFF
“=”	: 48V working mode

- ④ LED display panel
- ⑤ Fuse holder
- ⑥ 3-pin XLR DC output socket/48V  
(Pin 1: Negative, Pin 2: Positive)
- ⑦ 4-pin XLR DC output socket/24V  
(Pin 1: Negative, Pin 4: Positive)

## Charging

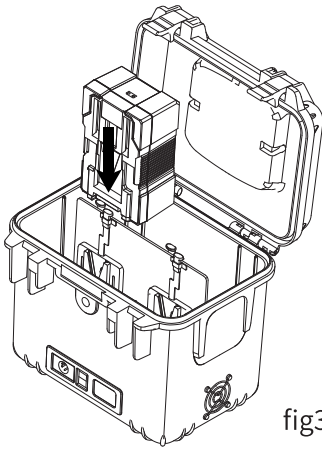


fig3

1. Install the V-mount battery following the arrow direction as shown in figure 3. Battery and battery plate are well connected with cracking sounds.
2. Use the provided battery charger to charge (Only limited to charge/discharge specified batteries). It may cause danger if charge other batteries due to incompatibility problem, see details as showed in “Applicable Battery”. It can charge maximum 4 V-mount batteries simultaneously.
3. Make sure the batteries and battery plates are well connected before charging.
4. During charging process, pls refer to “LED panel instruction” to check the status.
5. When the indicator turns green, it means fully charged.

## Discharging

1. Install the V-mount battery following the arrow direction as shown in figure 3. Battery and battery plate are well connected with cracking sounds.
2. To ensure continuous power supply and maximum power output, it is recommended to use 4 pieces of the same model and fully charged V-mount batteries to discharge, otherwise the loading capacity will reduce or cause battery and adapter protection.
3. S-4040 can output 24V or 48V according to the demands:
  - ①. Dial up the power switch to “-”, 24V will be activate, DC 48V has no output.
  - ②. Dial down the power switch to “=”, 48V will be activate, DC 24V has no output.
4. Please choose the proper XLR cable. Make sure this product and load equipment are well connected and no short circuit before loading.
5. Please change or charging the Li-ion batteries if the LED low battery warning displays.

## LED Panel Instruction

Function	ON/OFF state	LED panel State
Charging	—	Display the current battery voltage, DC 24V can be used
	O	“GHG.”
	=	“GHG.”,DC 48V have no output
Discharge	Not in “O” position	Normal Working Status: Display the current battery voltage. Note: DC 48V output needs to install 4 batteries.
		Under Voltage Alarm: 1. The LED panel display and flash “L-”, it indicates that the battery capacity is low. 2. The LED panel display and flash “P-”, it indicates that the batteries are empty; 3. The LED panel display and flash “P01”, it indicates that the equipment had a short circuit protection or over current protection.

## Applicable Battery

All SWIT V-mount batteries no larger than 170x105x70mm.

## Charging

Model	S-4040	
Mount	V-mount	
Charge	16.8V,5A	
Output	3-pin XLR	48V, 10A, 480W
	4-pin XLR	24V, 10A, 240W
Dimension	290mmx221mmx278mm	
Net weight	3.1Kg	
Operation temperature	-20°C~+40°C	
Operation humidity	10%~90%RH	
Storage temperature	-15°C~ + 60°C	

## Storage

- Please turn off the power switch if it is not used for a long time and take out the inside V-mount batteries.
- Keep in cool and dry place.
- Please avoid contact with corrosive substances, away from fire and heat source.

## Packing List

Item Name	Quantity
Power Station Box	x1
Fuse(65TS-150H/L)	x2
Charger	x1
Power Cable	x1
Warranty Card	x1
User Manual	x1
Certificate of Quality	x1

## Common faults and treatment methods

Description	Possible Cause	Solution
Can not output to power equipment, but the LED panel display voltage	Fuse has been damaged	Change fuse
	DC output socket is not connected to the equipment or not reliable connected	Reconnect the XLR cable.
E02	DC 48V working mode needs 4 batteries	Please make sure the four batteries are well connected with the plates and fully charged.
	Components failure	Please connect professional person
P01	Short circuit protection	Please make sure that there is no conductor between the electrodes.
	Overcurrent protection	The load is too heavy.
E01,E03,E04	Components failure	Please connect professional person